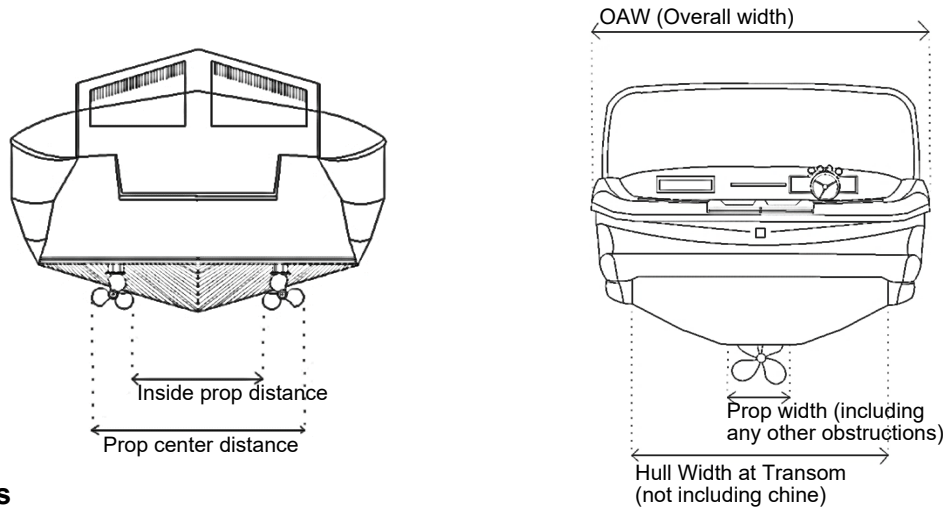
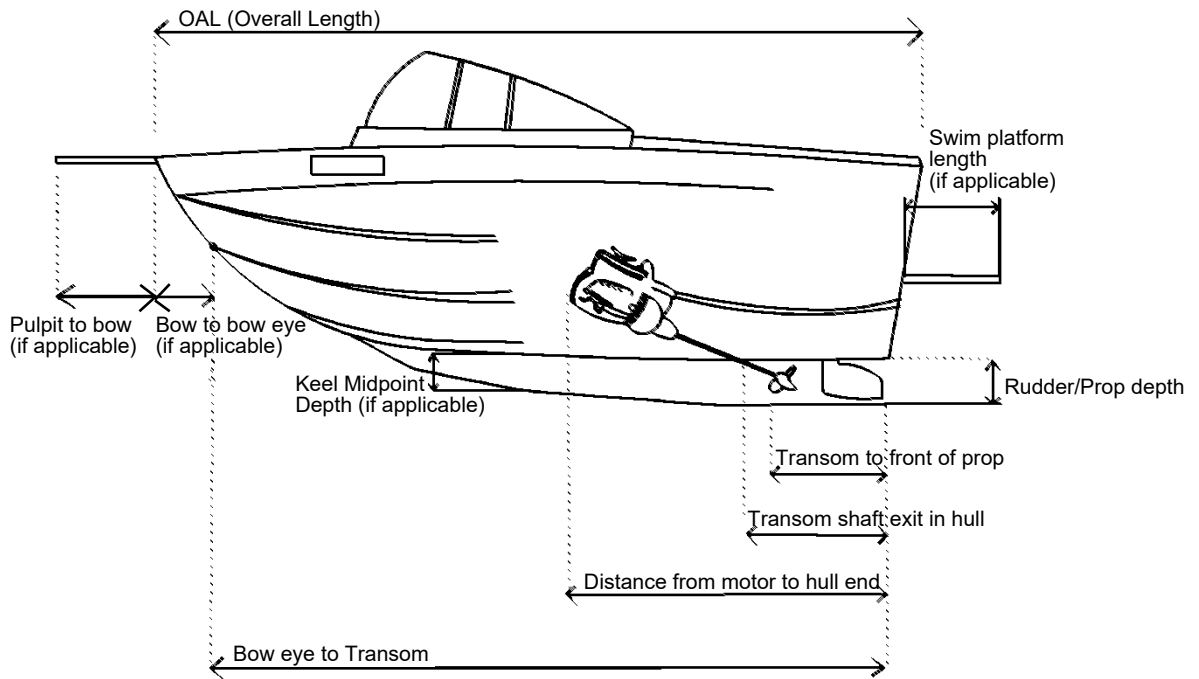


Boat Make: _____ Boat Model: _____ Year: _____



Notes / Up charges
