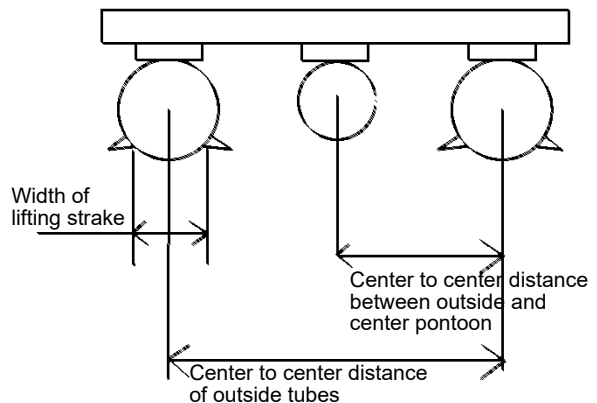
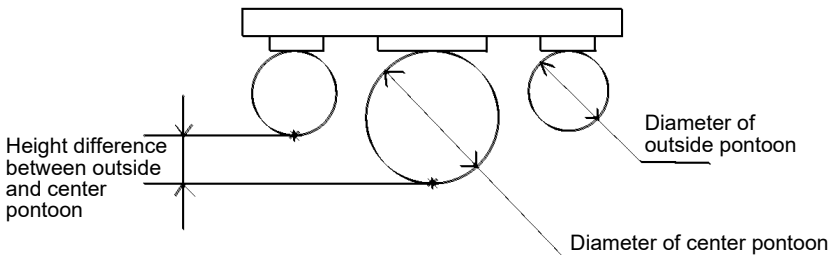
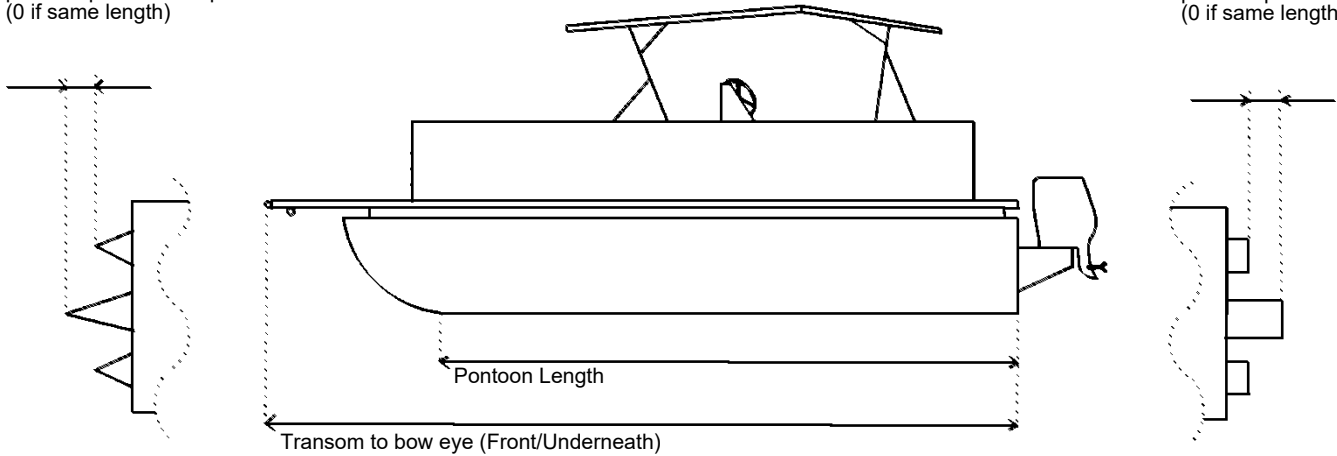


Boat Make: _____ Boat Model: _____ Year: _____

BOW: Distance of middle pontoon past outside pontoon (0 if same length)

STERN: Distance of middle pontoon past outside pontoon (0 if same length)



Notes / Up charges
